

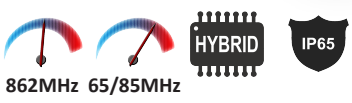
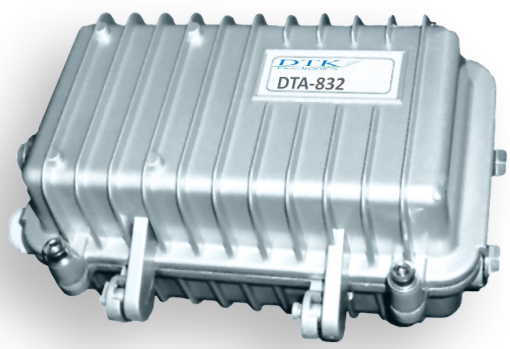
Description:

Designed to satisfy requirements for building large cable TV network trunk lines and line extensions.

Created using up-to date hybrid ICs and with modular technology which allows flexibility on frequency plans changes and output signal power distributing. Hermetic casing protects the amplifier from environmental impact – dust and humidity.

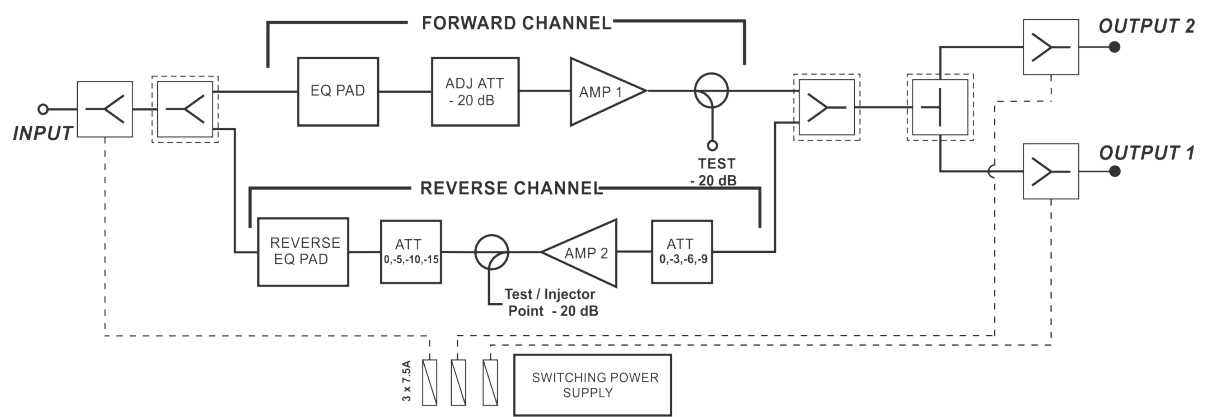
Features:

- Push-Pull output
- Compact Design - easy installation and setup
- Surge protection on all I/O ports
- Coaxial line power-feeding (option C)
- Water-resistant hermetic housing (IP65) for outdoor mounting
- Mains power-feeding (option M)
- Coaxial connectors 5/8"
- Under-voltage lockout



Technical Specifications		Technical Specifications		General Specifications	
DOWN Stream		UP Stream			
Bandwidth	47/85 ÷ 862 MHz	Bandwidth	5 ÷ 65/85MHz	Power Supply (Coaxial)	24 ÷ 70 VAC
Active Components	Hybrid ICs	Gain	25 dB ²	Power Supply (Mains)	100 ÷ 265 VAC
Gain	32dB ²	Gain Flatness	± 0.75 dB	Power Consumption	13.5W
Gain Flatness	± 0.5dB	Noise Figure	1 dB	Hum Modulation	61dB / ≤6A AC
Noise Figure	≤ 7dB ²	Interstage Attenuator	0 ÷ 10 dB / 1 dB pitch	Operating Temperature	-20 ÷ 60°C
Return Loss	≥ 18dB / 75 Ω ³	Output Attenuator	0 ÷ 15 dB / 1 dB pitch	Dimensions	200 x 140 x 90 mm
Input Attenuator	0 ÷ 20dB	Input Equalizer	0 ÷ 20dB	Weight	1.25 kg
Input Cable Corrector	0 ÷ 20dB	Output test port	-20 ± 0.5 dB		
Input/Output test ports	-20 ± 0.5 dB	Input test port (injector)	-20 ± 0.5 dB		
Output level CTB (@60dB)	116dBμV ¹	Output level (IM2>60dB)	117dBμV		
Output level CSO (@60dB)	116dBμV ¹				

1) Standard EN 50083-3, 42 CENELEC
 2) At maximum gain (all attenuators set to 0dB)
 3) EN 50083-3-Table 1, Class B



DTA-832 Technical

DTK

DTA-832 Block Scheme