



Description:

Modular amplifier compatible with the universal platform UMP-6U. Contains two changeable plug-ins:

- Filter plug-in
- Output plug-in

The amplifier is accomplished with GaAsFET active components.

Features:

- Microprocessor control
- Powerful integral output - GaAsFET Power Doubler
- Electronic cable corrector and interstage attenuator
- Protection Against: High Input Level
Overtemperature
- Input Signal Test Port
- Changeable filter plug-in
- Configurable output ports
- UMP-6U Compatible

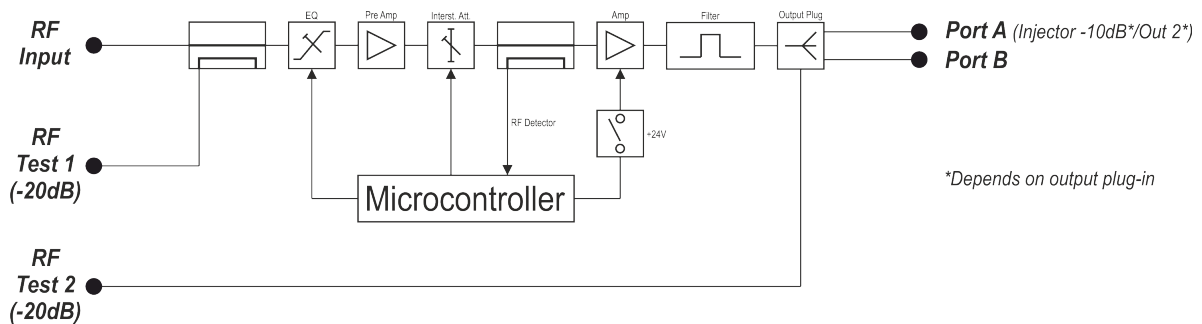


Technical Specifications	
DOWN Stream	
Active Components	GaAsFET
Frequency Range	47/85 ÷ 1000MHz
Gain	32dB
Flatness	± 0.5dB
Interstage attenuator	0 ÷ 15dB/0.5dB step
Interstage cable corrector	0 ÷ 15dB/0.5dB step
Noise Figure	6.5dB ¹⁾
Return Loss	≥ 18dB/75Ω
CTB IMA	-60dBc ²⁾
Cross Modulation (XM IMA)	-55dBc ²⁾
CSO IMA	-63dBc ²⁾

Technical Specifications	
PLUG-INS	
Filter Plug-Ins	
HPF-HA-1000	High Pass Filter ³⁾
LPF-HA-1000	Low Pass Filter ³⁾
BPF-HA-1000	Band Pass Filter ³⁾
Output Plug-Ins	
JMP-HA-1000	Jumper
SP-2W-HA-1000	Splitter
INJ-10dB-HA-1000	Inector

General Specifications	
Supply Voltage	24VDC
Power Consumption	15W
Dimensions	305x175x34mm
Weight	0.920kg
Operating Temperature	-20 ÷ 60°C
Protection Level	IP41 ⁴⁾
Possible installation in our modular chasis UMP-6U	

1) At maximum gain - all attenuators set to 0dB.
 2) Output level 112dBμV, 110 channels, with cable corrector -10dB, @750MHz
 3) Filters are subject to design according to particular cable network frequency plan
 4) According to IEC 529



*Depends on output plug-in