



Description:

Designed to satisfy requirements for building large CATV network trunk lines and line extensions.

Hermetic casing protects the amplifier from environmental impact- dust and humidity.

Features:

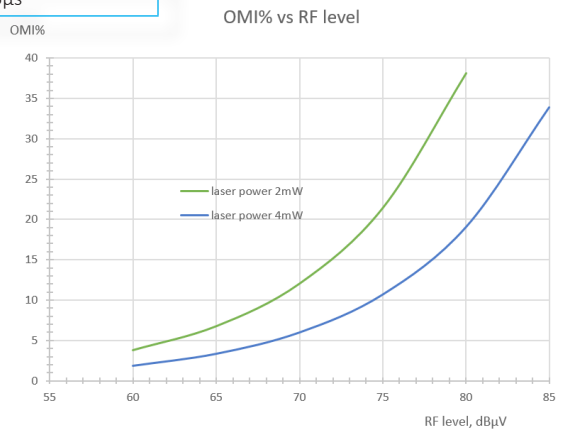
- Wide range of input optical power: from -9 to +2dBm
- Interstage equalizer, attenuator and ICS
- Automatic Level Control (ALC)
- Burst mode
- Built-in power inserter
- Weatherproof case (IP65)
- Low voltage protection
- Two current outputs



RF Section	
DOWN Stream	
Frequency Range	86 ÷ 1002MHz
Flatness	± 0.5dB
Output Return Loss	> -18dB @ Z=75Ω
Interstage Tilt & Attenuator	0 ÷ 15dB, 1dB step
RF ALC Accuracy (Locked)	± 0.5dBμV
Hum Modulation	≤ -65dB @ 7A/AC
Test Port	-20 ± 0.5dB
Output level @ OUT1	117dBμV
Intermodulation distortions @ output level 117dBμV	CSO ≤ -70dBc CTB ≤ -68dBc
UP Stream	
Frequency Range	5 ÷ 200 MHz
Flatness	≤ ± 0.5dB
Input RF level	60 ÷ 80dBμV
Input Ret. Loss	> -18dB @ Z=75Ω
Reverse Input Attenuator	0 ÷ 20dB, 1dB step
Ingress Control Switch	0dB, 6dB or OFF (manual)
Noise Figure	6.5dB @ 5 ÷ 200 MHz

Optical Section	
DOWN Stream	
Wavelength	1290 ÷ 1600nm
Fiber	SM 9/125μm
Optical Return Loss	> 40dB
Equivalent input noise	≤ 6pA / VHz
OP range with ALC Locked	-9 ÷ +2 dBm
UP Stream	
Wavelength	CWDM @ ITU-T/6.694.2
Laser Type	FP or DFB
Frequency Range	5 ÷ 200MHz
Optical Output Power	0 ÷ 6 ±0.5dBm
Laser rise/fall time	<1.5μs

General Specifications	
Power Supply Coaxial	100 ÷ 265VAC
Power Supply Mains	24 ÷ 75VAC
Max AC current per point	< 7A AC
Power Consumption	21.5W
Temperature Range	-40 ÷ +85°C
Protection Level	IP65
Dimensions	215x200x90mm
Weight	1.85kg
Connectors	5/8"; PG11



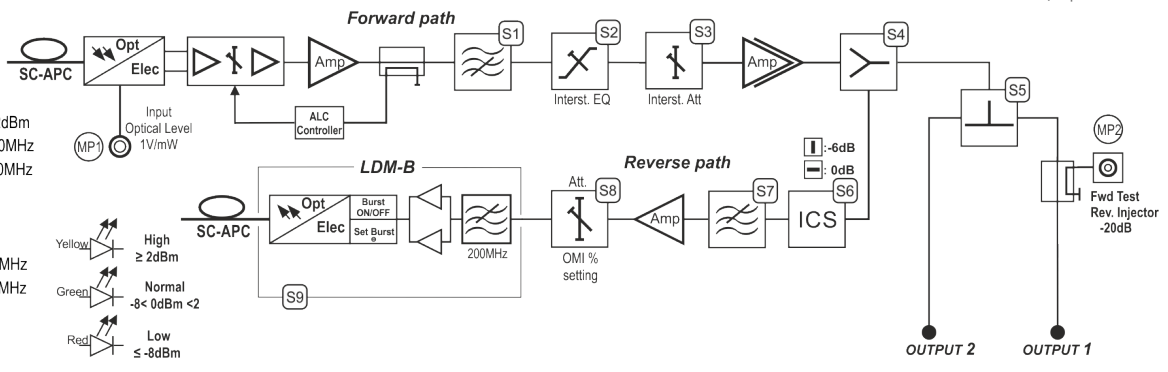
Ordering Examples:

LDM-1310-2-FP 1310 ± 20nm, 2mW, FP type Laser diode
 LDM-1550-2-DFB 1550 ± 20nm, 2mW, DFB type Laser diode
 LDM-1590-4-CWDM 1590 ± 5nm, 4mW, CWDM type Laser diode
 LDM-1xxx-4-CWDM CWDM (ITU-T/6.694.2), 4mW

Forward path
 Wavelength: 1290-1600 nm
 Optical input power range: -8 ÷ +2dBm
 Forward bandwidth: ● 85 ○ 260MHz
 ○ 862 ● 1000MHz

Reverse path
 Wavelength: 1470nm CWDM
 Optical output: 2mW (3dBm)
 Reverse bandwidth: ● 18 ○ 65MHz
 ○ 200MHz

SWITCHING POWER SUPPLY
 Input: 175 - 265V AC
 Output: 24V DC; 5V DC
 Power consumption: 22W



OCN-54100 Technical

DTK

OCN-54100 Block Scheme