

# DSAT-72

## Signal distribution box



### Description:

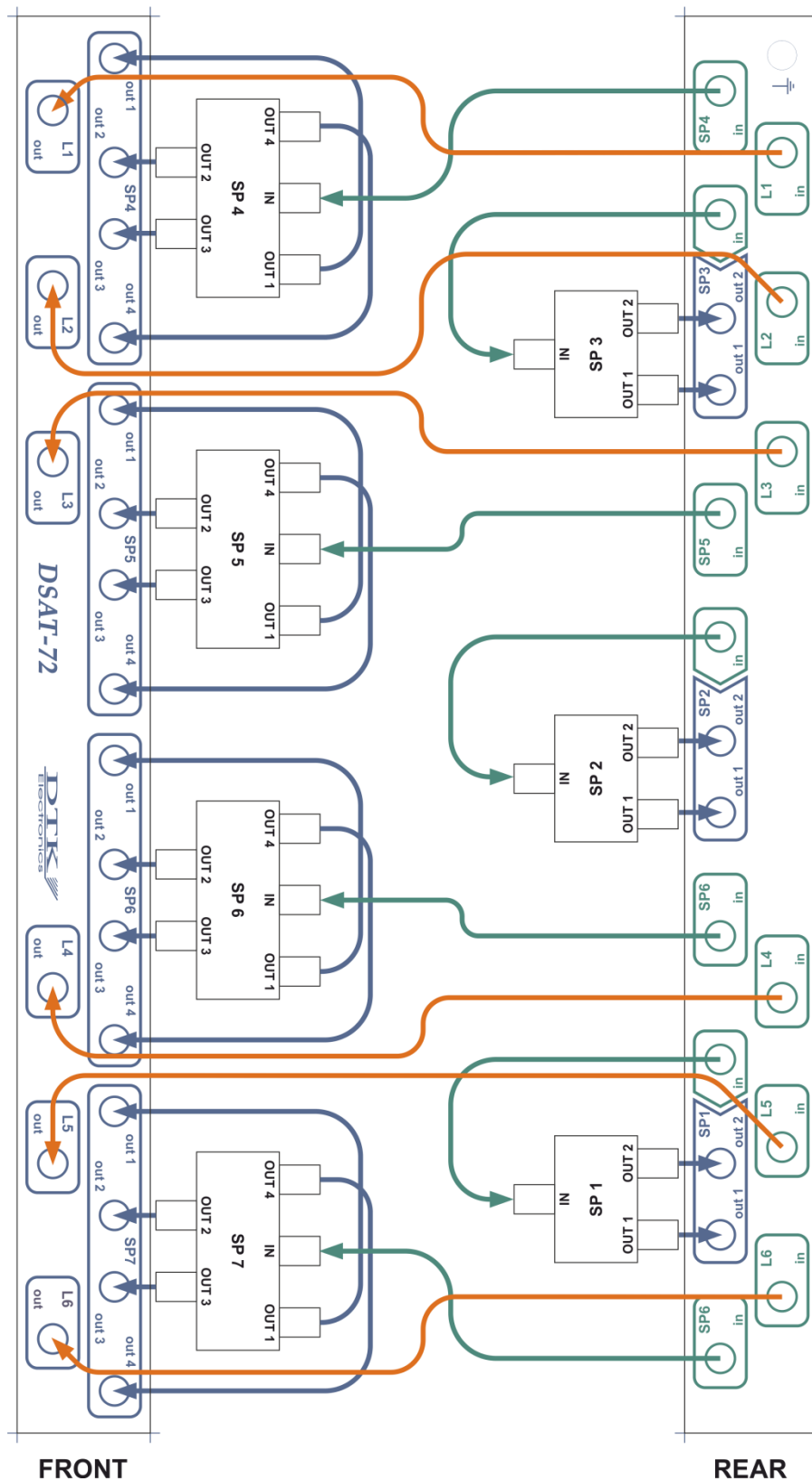
**DSAT-72** is a set of passive elements designed for distributing RF signals, including those from satellite antennas, in the frequency range  $5 \pm 2400$  MHz. It comprises three 2-output, four 4-output splitters and six direct links.

**DSAT-72** is housed in a standard 19" 1U deck and is destined for mounting in an equipment rack by means of depth adjustable fixing plates.

### Technical Specification:

Frequency range	5 ÷ 2400 MHz
Insertion loss:	
- 2-output splitters (Sp1 – Sp3)	< 6 dB
- 4-output splitters (Sp4 – Sp7)	< 12 dB
- direct links (L1 – L6)	< 0.5 dB
Return loss	> -15 dB
Decoupling	> 20 dB
Crosstalk between elements (within 5 ÷ 2400 MHz range)	> 80 dB
Screening factor	> 85 dB (Class A)
Connectors type	F-socket
DC current pass IN-OUT	1A / 30V
Dimensions (L x W x H) without fixing plates	436 x 276 x 44 mm
Ambient temperature range	-20 ÷ +60 °C
Weight (with fixing plates)	2.7 kg

**Connection diagram:**



2-output splitters: Sp1 – Sp3, all connections on rear panel  
 4-output splitters: Sp4 – Sp7, inputs on rear panel, outputs on front panel  
 Direct links: L1 – L6, connections rear-front