



Description:

Compact miniature optical node destined for converting optical signal into RF signal thus providing end users with digital SD (Standard Definition), digital HD (High Definition) and analog television.

Excellent home & office solution. Indoor usage is highly recommended

Features:

- ALC system for automatic constant output level maintenance within wide range of input optical power from -9 to +2dBm
- PON Compatible
- LED indication of input optical power
- Extremely low power consumption
- Small sized compact housing

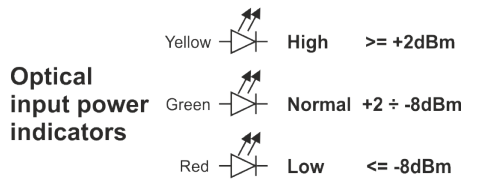
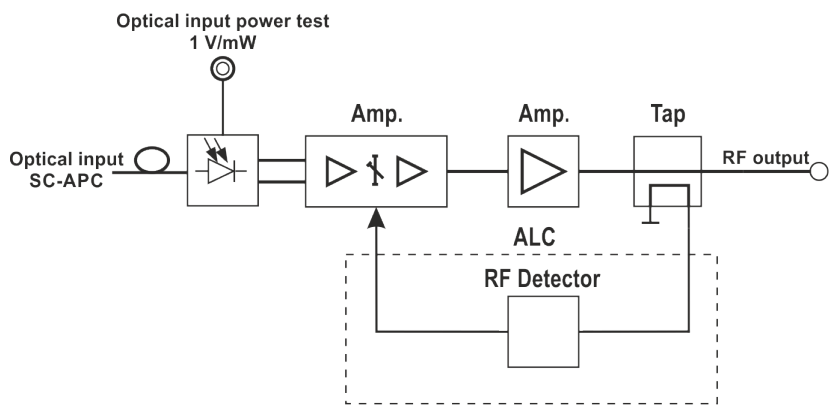


Technical Specifications	
Input Wavelength	1290 ÷ 1600nm ¹⁾ 1550nm ²⁾
RF Connector	F 3/8" female
Optical Return Loss	> 40dB
Optical Connector	SC/APC
Output Return Loss	> 18dB @ Z=75 Ω

Technical Specifications	
Frequency bandwidth	47 ÷ 862MHz
Input Optical Power	-8 ÷ +2dBm
Flatness	±0.5dB
Output RF level	≈ 90dBμV ³⁾
LED Indication for optical power	
High (> +2dBm)	Yellow Light
Normal (-8 ÷ +2dBm)	Green Light
Low (< -8dBm)	Red Light

General Specifications	
Power Supply Voltage	5 VDC ± 10%
Power Consumption	1.75W
Operating Temperature	0 ÷ +50 °C
Dimensions (L x W x H)	100 x 76 x 28mm
Weight	0.170kg

1) Configuration Model Name: μ Node-92
 2) Configuration Model Name: μ Node-92WF
 3) @ -8 ÷ +2dBm & 3.5% OMI/Channel



μNode-92 Technical

DTK

μNode-92 Block Scheme